

TE 640 3D A8

for unrebated heavy-duty doors with claddings up to 8 mm on both sides



Product features

- claddings up to 8 mm
- completely concealed hinge system
- for timber, steel or aluminium frames
- for unrebated heavy-duty doors
- sideways closed hinge body for an aesthetically pleasing mortise appearance
- comfortable 3D adjustment (side +/- 3,0 mm, height +/- 3,0 mm, compression +/- 1,0 mm)
- maintenance-free slide bearings

Technical data

Property	Value
Load capacity	160,0 kg
Overall length	240,0 mm
Width (door part)	32,0 mm
Width (frame part)	32,0 mm
Cutter diameter	24,0 mm
Collar ring diameter	30,0 mm
Opening angle	180°

Quality marks



CE certification



IFT certification



UL certification

Classification code

4	7	7	1 ^{*1}	1	- ^{*2}	1	14
---	---	---	-----------------	---	-----------------	---	----

^{*1} Test evidence for functional doors to be achieved with full door sets and assemblies.

^{*2} depending on the finish

TECTUS - TE 640 3D A8

Notes

The load capacity mentioned above refers to the use of 2 hinges per door leaf (1 x 2 m), for detailed information please look at the chapter [technical information](#).

With an opening position of 180° the door may have to be fixed additionally.

The suitability for fire doors depends on the door construction.

Installation tools

- Universal milling frame
- Template 5 250659 5
- Template 5 250688 5
- Template 5 250689 5
- Template 5 250690 5

- step 1
- step 3 (without cladding)
- step 2
- step 3

Combinations

- TE 640 3D FZ
- TE 640 3D A8 BW/1
- TE 640 3D A8 SZ
- TE 640 3D ST
- Cover plate set TECTUS A8 radius

Function range



burglar resistance



fire resistance

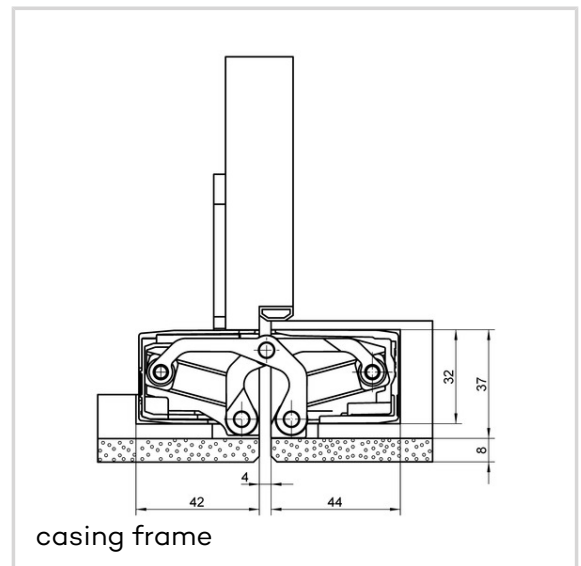
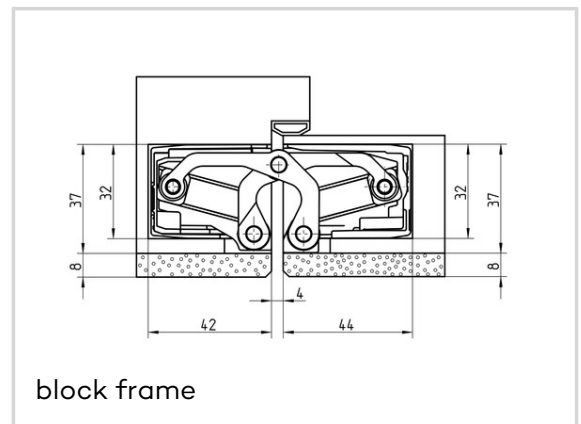
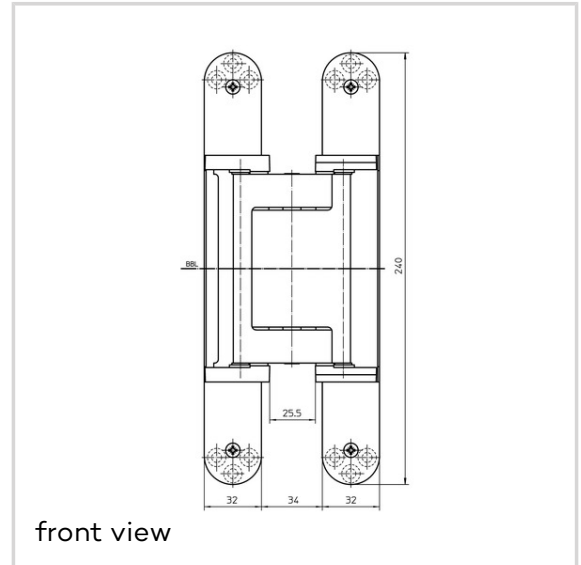


smoke resistance



soundproof

Item versions



TECTUS - TE 640 3D A8

Finish	Polished brassed (SW 030)
VPE	pack of 2
DIN	DIN right and left hand
ITEM NO.	5 400694 0 03002
ITEM NO. (SAP)	500003954
EAN	4015471127305

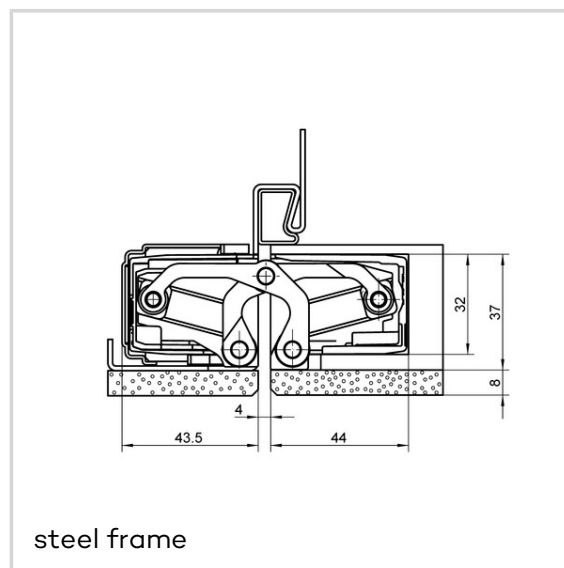
Finish	Polished nickelled (SW 038)
VPE	pack of 2
DIN	DIN right and left hand
ITEM NO.	5 400694 0 03802
ITEM NO. (SAP)	500003955
EAN	4015471127343

Finish	Satin brassed (SW 047)
VPE	pack of 2
DIN	DIN right and left hand
ITEM NO.	5 400694 0 04702
ITEM NO. (SAP)	500003956
EAN	4015471130817

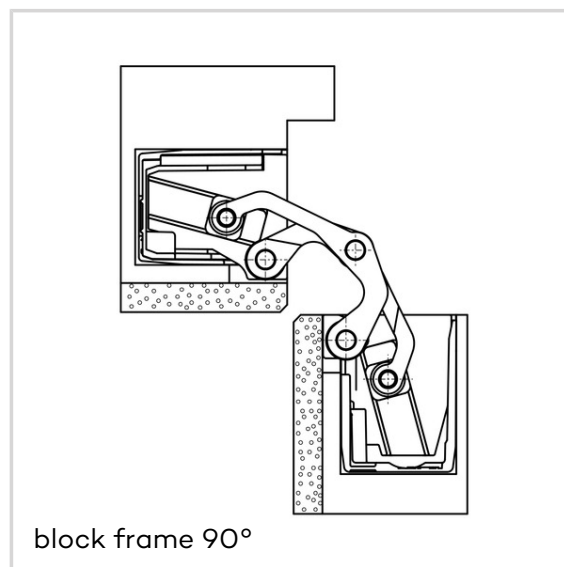
Finish	RAL 9016 Traffic White (SW 070)
VPE	pack of 2
DIN	DIN right and left hand
ITEM NO.	5 400694 0 07002
ITEM NO. (SAP)	500003957
EAN	4015471127473

Finish	RAL 9005 Matte Black (SW 107)
VPE	pack of 2
DIN	DIN right and left hand
ITEM NO.	5 400694 0 10702
ITEM NO. (SAP)	500003959
EAN	4015471128043

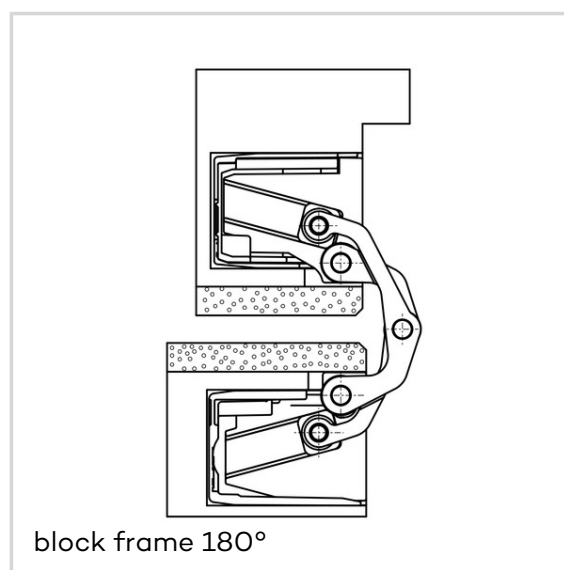
Finish	Satin Chrome Look (F1) (SW 124)
VPE	pack of 2
DIN	DIN right and left hand
ITEM NO.	5 400694 0 12402



steel frame



block frame 90°



block frame 180°

TECTUS - TE 640 3D A8

ITEM NO. (SAP)	500003960
EAN	4015471128050
Finish	Satin Nickel Look (F2) (SW 125)
VPE	pack of 2
DIN	DIN right and left hand
ITEM NO.	5 400694 0 12502
ITEM NO. (SAP)	500003961
EAN	4015471128067
Finish	Stainless Steel Look (SSL) (SW 126)
VPE	pack of 2
DIN	DIN right and left hand
ITEM NO.	5 400694 0 12602
ITEM NO. (SAP)	500003962
EAN	4015471128074
Finish	Satin Nickel (SW 144)
VPE	pack of 2
DIN	DIN right and left hand
ITEM NO.	5 400694 0 14402
ITEM NO. (SAP)	500003963
EAN	4015471128081
Finish	Satin Chrome (SW 146)
VPE	pack of 2
DIN	DIN right and left hand
ITEM NO.	5 400694 0 14602
ITEM NO. (SAP)	500003964
EAN	4015471128098
Finish	Rustic Umber (SW 156)
VPE	pack of 2
DIN	DIN right and left hand
ITEM NO.	5 400694 0 15602
ITEM NO. (SAP)	500003965
EAN	4015471128135
Finish	Bronze Metallic (SW 168)
VPE	pack of 2
DIN	DIN right and left hand

TECTUS - TE 640 3D A8

ITEM NO.	5 400694 0 16802
ITEM NO. (SAP)	500003966
EAN	4015471128142
Finish	Bronze Finish (SW 174)
VPE	pack of 2
DIN	DIN right and left hand
ITEM NO.	5 400694 0 17402
ITEM NO. (SAP)	500003967
EAN	4015471128173
Finish	Bronze Finish light (SW 175)
VPE	pack of 2
DIN	DIN right and left hand
ITEM NO.	5 400694 0 17502
ITEM NO. (SAP)	500003968
EAN	4015471128180
Finish	Bronze Finish dark (SW 176)
VPE	pack of 2
DIN	DIN right and left hand
ITEM NO.	5 400694 0 17602
ITEM NO. (SAP)	500003969
EAN	4015471128203