

TE 541 3D FVZ

for unrebated residential and heavy-duty doors with recessed frames



Product features

- FVZ = recessed frames
- recessed frames up to 14 mm
- completely concealed hinge system
- for timber, steel or aluminium frames
- for unrebated residential and heavy-duty doors
- sideways closed hinge body for an aesthetically pleasing mortise appearance
- comfortable 3D adjustment (side +/- 3,0 mm, height +/- 3,0 mm, compression +/- 1,0 mm)
- maintenance-free slide bearings

Technical data

Property	Value
Load capacity	100,0 kg
Overall length	185,0 mm
Width (door part)	28,0 mm
Width (frame part)	28,0 mm
Cutter diameter	24,0 mm
Collar ring diameter	30,0 mm
Opening angle	180°

Quality marks



CE certification

warringtonfire

Warringtonfire tested

certifire

Certifire certification



IFT certification

Classification code

4	7	5	1*1	1	—*2	0	12
---	---	---	-----	---	-----	---	----

*1 Test evidence for functional doors to be achieved with full door sets and assemblies.

*2 depending on the finish

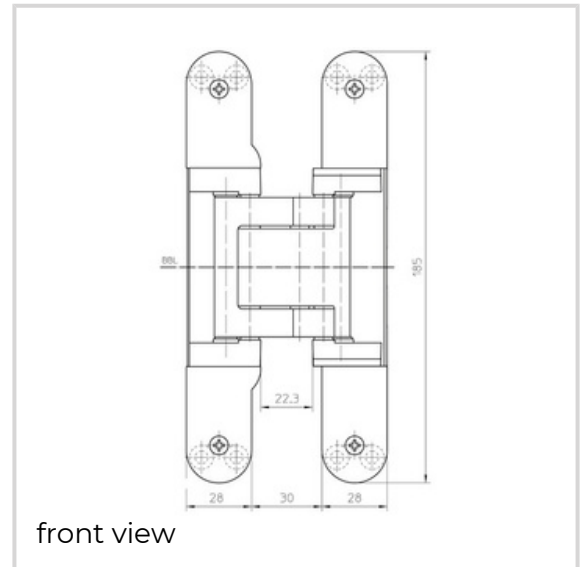
TECTUS - TE 541 3D FVZ

Notes

The load capacity mentioned above refers to the use of 2 hinges per door leaf (1 x 2 m), for detailed information please look at the chapter [technical information](#).

With an opening position of 180° the door may have to be fixed additionally.

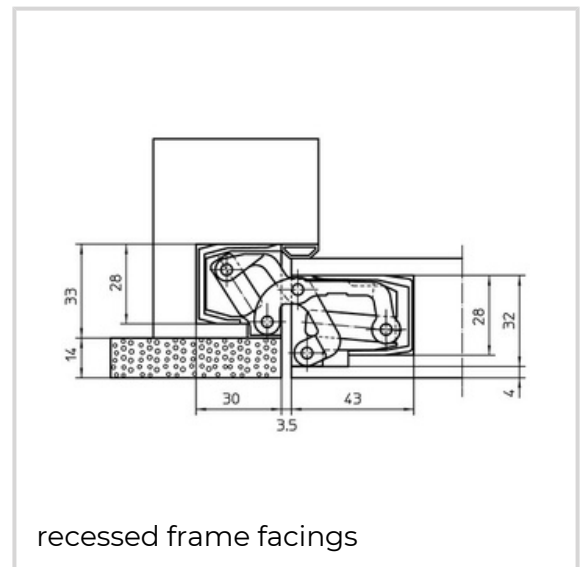
The suitability for fire doors depends on the door construction.



front view

Installation tools

Universal milling		
frame Template 5		frame, step 3
250682 5 Template 5		frame / door, step 1
250942 5 Template 5		frame / door, step 2
250943 5 Template 5		door, step 3
250944 5 Template 5		frame, step 3, without cladding
251169 5		



recessed frame facings

Combinations

- TE 541 3D FVZ FZ
- TE 541 3D FVZ SZ
- TE 541 3D FVZ ST

Function range



fire resistance



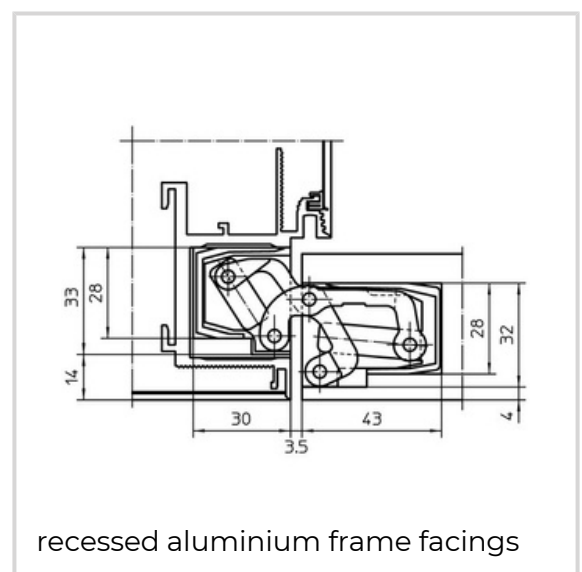
smoke resistance



soundproof

Item versions

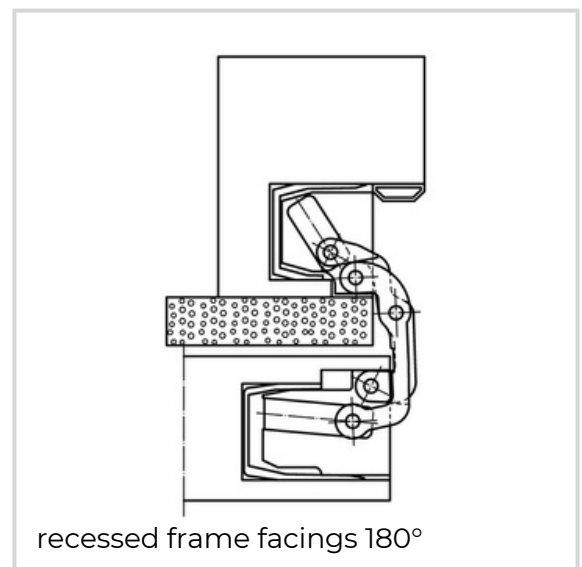
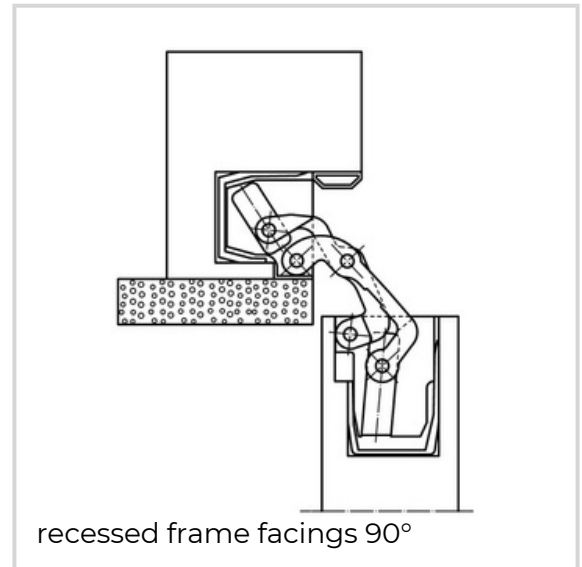
Finish	Polished brassed (SW 030)
VPE	pack of 2



recessed aluminium frame facings

TECTUS - TE 541 3D FVZ

DIN ITEM NO. ITEM NO. (SAP) EAN	DIN right and left hand 5 400631 0 03002 500003829 4015471122782
Finish VPE DIN ITEM NO. ITEM NO. (SAP) EAN	Polished nickelled (SW 038) pack of 2 DIN right and left hand 5 400631 0 03802 500003830 4015471120047
Finish VPE DIN ITEM NO. ITEM NO. (SAP) EAN	Satin brassed (SW 047) pack of 2 DIN right and left hand 5 400631 0 04702 500003831 4015471133658
Finish VPE DIN ITEM NO. ITEM NO. (SAP) EAN	RAL 9016 Traffic White (SW 070) pack of 2 DIN right and left hand 5 400631 0 07002 500003832 4015471122799
Finish VPE DIN ITEM NO. ITEM NO. (SAP) EAN	RAL 9005 Matte Black (SW 107) pack of 2 DIN right and left hand 5 400631 0 10702 500003834 4015471122805
Finish VPE DIN ITEM NO. ITEM NO. (SAP) EAN	Satin Chrome Look (F1) (SW 124) pack of 2 DIN right and left hand 5 400631 0 12402 500003835 4015471110130
Finish	Satin Nickel Look (F2)



TECTUS - TE 541 3D FVZ

VPE	(SW 125)
DIN	pack of 2
ITEM NO.	DIN right and left hand
ITEM NO. (SAP)	5 400631 0 12502
EAN	500003836
	4015471119263
Finish	Stainless Steel Look
VPE	(SSL) (SW 126)
DIN	pack of 2
ITEM NO.	DIN right and left hand
ITEM NO. (SAP)	5 400631 0 12602
EAN	500003837
	4015471110147
Finish	Satin Nickel (SW 144)
VPE	pack of 2
DIN	DIN right and left hand
ITEM NO.	5 400631 0 14402
ITEM NO. (SAP)	500003838
EAN	4015471122812
Finish	Satin Chrome (SW
VPE	146)
DIN	pack of 2
ITEM NO.	DIN right and left hand
ITEM NO. (SAP)	5 400631 0 14602
EAN	500003839
	4015471122829
Finish	Rustic Umber (SW 156)
VPE	pack of 2
DIN	DIN right and left hand
ITEM NO.	5 400631 0 15602
ITEM NO. (SAP)	500003840
EAN	4015471119423
Finish	Bronze Metallic (SW
VPE	168)
DIN	pack of 2
ITEM NO.	DIN right and left hand
ITEM NO. (SAP)	5 400631 0 16802
EAN	500003841
	4015471122379

TECTUS - TE 541 3D FVZ

Finish	Bronze Finish (SW 174)
VPE	pack of 2
DIN	DIN right and left hand
ITEM NO.	5 400631 0 17402
ITEM NO. (SAP)	500003842
EAN	4015471134044
Finish	Bronze Finish light (SW 175)
VPE	pack of 2
DIN	DIN right and left hand
ITEM NO.	5 400631 0 17502
ITEM NO. (SAP)	500003843
EAN	4015471138158
Finish	Bronze Finish dark (SW 176)
VPE	pack of 2
DIN	DIN right and left hand
ITEM NO.	5 400631 0 17602
ITEM NO. (SAP)	500003844
EAN	4015471131838