

TE 340 3D

for unrebated residential and heavy-duty doors



Product features

- completely concealed hinge system
- for timber, steel or aluminium frames
- for unrebated residential and heavy-duty doors
- sideways closed hinge body for an aesthetically pleasing mortise appearance
- comfortable 3D adjustment (side +/- 3,0 mm, height +/- 3,0 mm, compression +/- 1,0 mm)
- maintenance-free slide bearings

Technical data

Property	Value
Load capacity	80,0 kg
Overall length	160,0 mm
Width (door part)	28,0 mm
Width (frame part)	28,0 mm
Cutter diameter	24,0 mm
Collar ring diameter	30,0 mm
Opening angle	180°

Notes

Quality marks



CE certification



IFT certification



UL certification

warringtonfire

Warringtonfire tested

Classification code

3	7	4	1 ¹	1	- ²	0	11
---	---	---	----------------	---	----------------	---	----

¹ Test evidence for functional doors to be achieved with full door sets and assemblies.

² depending on the finish

TECTUS - TE 340 3D

The load capacity mentioned above refers to the use of 2 hinges per door leaf (1 x 2 m), for detailed information please look at the chapter [technical information](#).

With an opening position of 180° the door may have to be fixed additionally.

The suitability for fire doors depends on the door construction.

Installation tools

Universal milling frame

Drilling jig TECTUS TE 340 3D

Template 5 250693 5

step 1

Template 5 250694 5

step 2

Combinations

TE 340 3D FZ

TE 340 3D SZ

TE 340 3D ST

Function range



burglar resistance



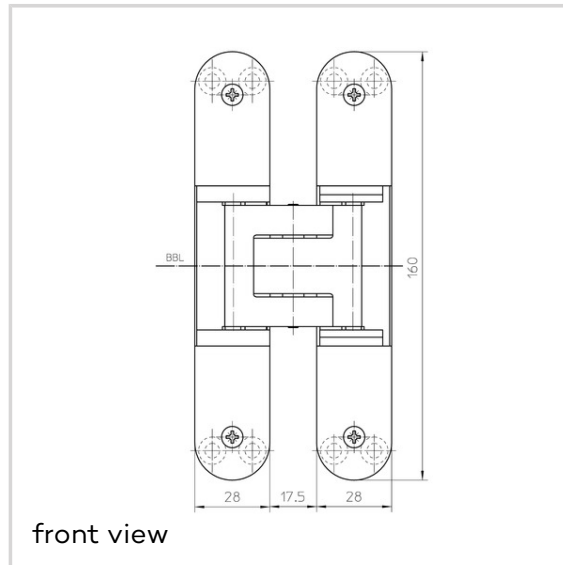
fire resistance



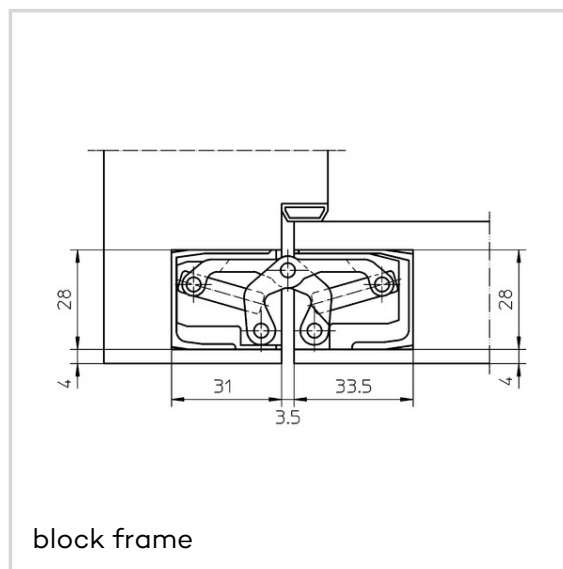
smoke resistance

Item versions

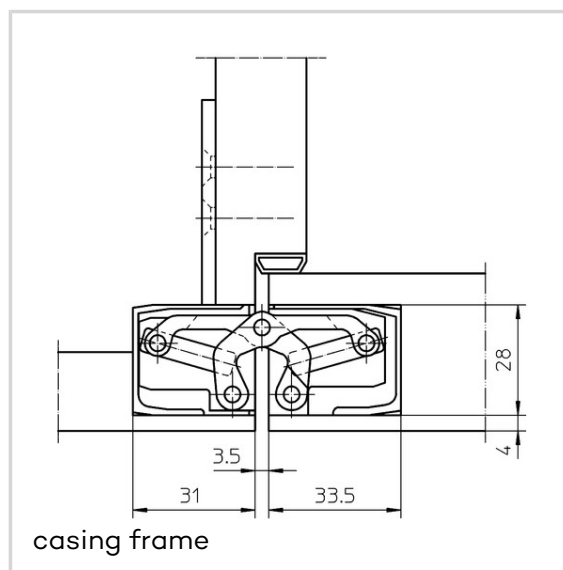
Finish	Polished brass (SW 030)
VPE	pack of 2
DIN	DIN right and left hand
ITEM NO.	5 400605 0 03002
ITEM NO. (SAP)	500003787
EAN	4015471106553



front view



block frame



casing frame

TECTUS - TE 340 3D

Finish	Polished nickelled (SW 038)
VPE	pack of 2
DIN	DIN right and left hand
ITEM NO.	5 400605 0 03802
ITEM NO. (SAP)	500003789
EAN	4015471106577

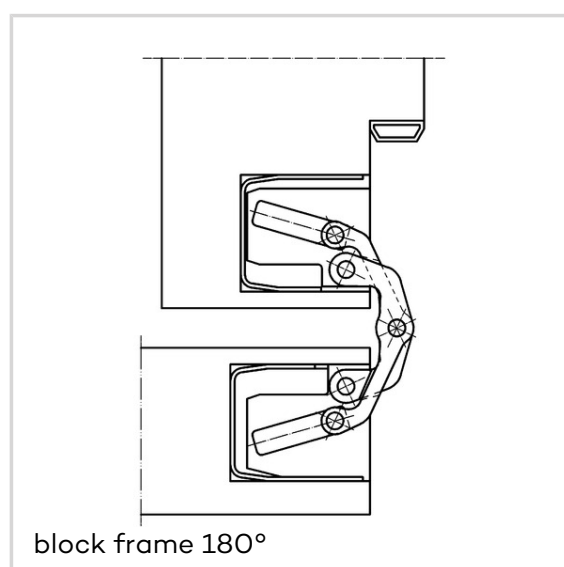
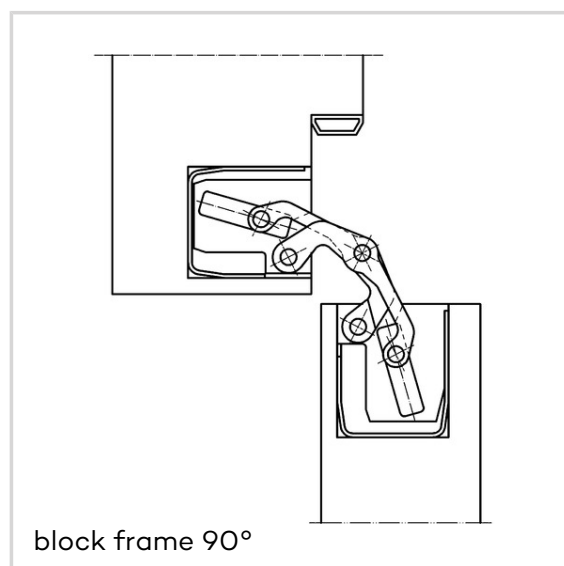
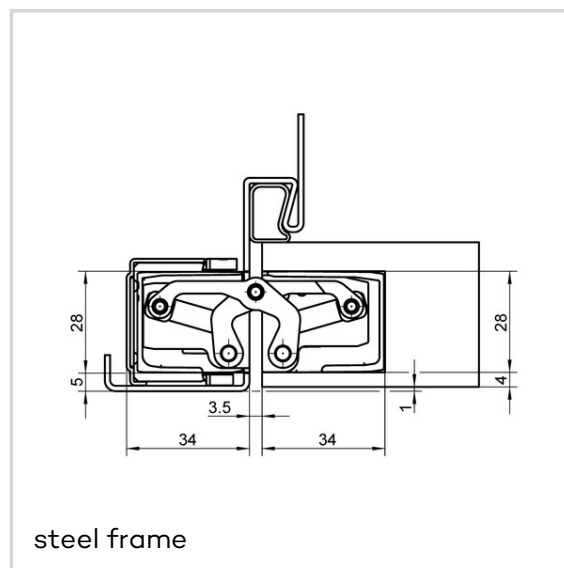
Finish	Satin brassed (SW 047)
VPE	pack of 2
DIN	DIN right and left hand
ITEM NO.	5 400605 0 04702
ITEM NO. (SAP)	500003790
EAN	4015471127183

Finish	RAL 9016 Traffic White (SW 070)
VPE	pack of 2
DIN	DIN right and left hand
ITEM NO.	5 400605 0 07002
ITEM NO. (SAP)	500003791
EAN	4015471106584

Finish	Grey Matte C37 (SW 088)
VPE	pack of 2
DIN	DIN right and left hand
ITEM NO.	5 400605 0 08802
ITEM NO. (SAP)	500003797
EAN	4015471141301

Finish	RAL 9005 Matte Black (SW 107)
VPE	pack of 2
DIN	DIN right and left hand
ITEM NO.	5 400605 0 10702
ITEM NO. (SAP)	500003798
EAN	4015471106607

Finish	Satin Chrome Look (F1) (SW 124)
VPE	pack of 2
DIN	DIN right and left hand
ITEM NO.	5 400605 0 12402



TECTUS - TE 340 3D

ITEM NO. (SAP)	500003801
EAN	4015471106614
Finish	Satin Nickel Look (F2) (SW 125)
VPE	pack of 2
DIN	DIN right and left hand
ITEM NO.	5 400605 0 12502
ITEM NO. (SAP)	500003803
EAN	4015471106638
Finish	Stainless Steel Look (SSL) (SW 126)
VPE	pack of 2
DIN	DIN right and left hand
ITEM NO.	5 400605 0 12602
ITEM NO. (SAP)	500003804
EAN	4015471106652
Finish	Satin Nickel (SW 144)
VPE	pack of 2
DIN	DIN right and left hand
ITEM NO.	5 400605 0 14402
ITEM NO. (SAP)	500003805
EAN	4015471106669
Finish	Satin Chrome (SW 146)
VPE	pack of 2
DIN	DIN right and left hand
ITEM NO.	5 400605 0 14602
ITEM NO. (SAP)	500003806
EAN	4015471109592
Finish	Rustic Umber (SW 156)
VPE	pack of 2
DIN	DIN right and left hand
ITEM NO.	5 400605 0 15602
ITEM NO. (SAP)	500003807
EAN	4015471106676
Finish	Bronze Metallic (SW 168)
VPE	pack of 2
DIN	DIN right and left hand

TECTUS - TE 340 3D

ITEM NO.	5 400605 0 16802
ITEM NO. (SAP)	500003808
EAN	4015471106683
Finish	Bronze Finish (SW 174)
VPE	pack of 2
DIN	DIN right and left hand
ITEM NO.	5 400605 0 17402
ITEM NO. (SAP)	500003809
EAN	4015471114190
Finish	Bronze Finish light (SW 175)
VPE	pack of 2
DIN	DIN right and left hand
ITEM NO.	5 400605 0 17502
ITEM NO. (SAP)	500003810
EAN	4015471114206
Finish	Bronze Finish dark (SW 176)
VPE	pack of 2
DIN	DIN right and left hand
ITEM NO.	5 400605 0 17602
ITEM NO. (SAP)	500003811
EAN	4015471114213