

TE 240 3D

for unrebated and rebated flush residential doors



Product features

- completely concealed hinge system
- for timber, steel or aluminium frames
- for unrebated and rebated flush residential doors
- sideways closed hinge body for an aesthetically pleasing mortise appearance
- 3D adjustment (side +/- 3,0 mm, height +/- 3,0 mm, compression +/- 1,0 mm)
- maintenance-free slide bearings

Technical data

Property	Value
Load capacity	60,0 kg
Overall length	155,0 mm
Width (door part)	18,0 mm
Width (frame part)	21,0 mm
Cutter diameter	16,0 mm
Collar ring diameter	30,0 mm
Opening angle	180°

Notes

Quality marks



CE certification



IFT certification

Classification code

3	7	3	1 ¹	1	- ²	0	10
---	---	---	----------------	---	----------------	---	----

¹ Test evidence for functional doors to be achieved with full door sets and assemblies.

² depending on the finish

TECTUS - TE 240 3D

The load capacity mentioned above refers to the use of 2 hinges per door leaf (1 x 2 m), for detailed information please look at the chapter [technical information](#).

With an opening position of 180° the door may have to be fixed additionally.

Installation tools

Universal milling frame
 Template 5 250691 6
 Template 5 250692 6

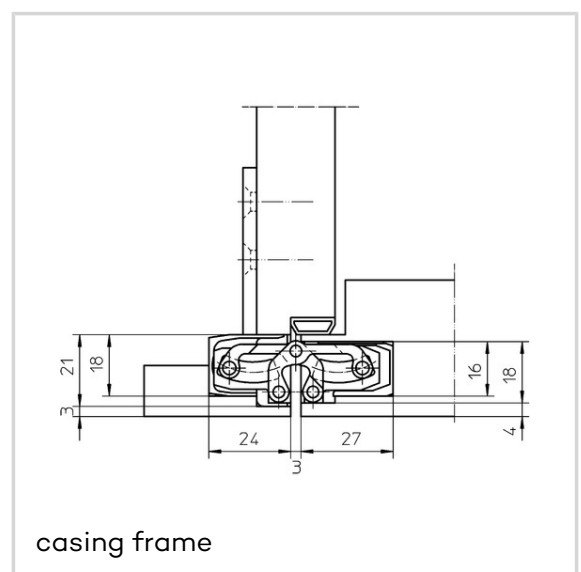
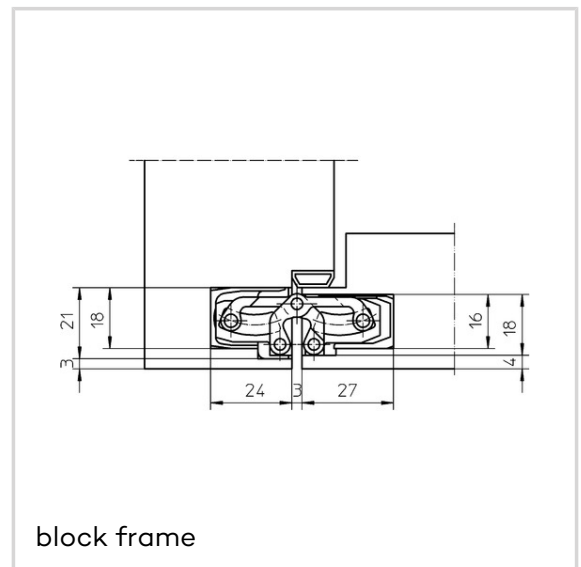
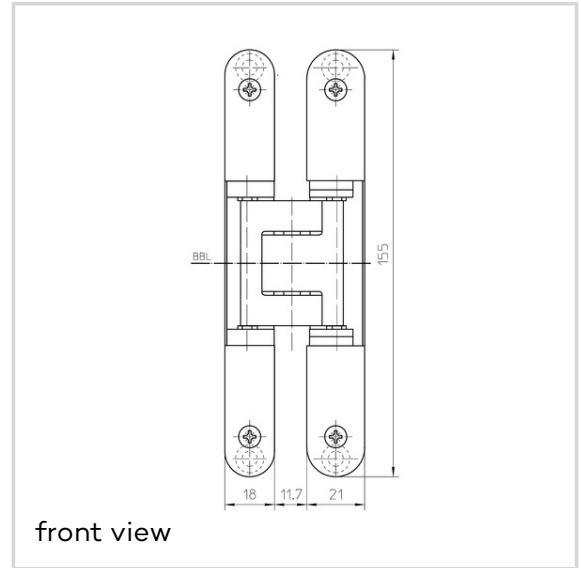
frame
 door leaf

Combinations

TE 240 3D FZ
 TE 240 3D SZ
 TE 240 3D ST

Item versions

Finish	Polished brassed (SW 030)
VPE	pack of 2
DIN	DIN right and left hand
ITEM NO.	5 400679 0 03002
ITEM NO. (SAP)	500003893
EAN	4015471122980
Finish	Polished nickelled (SW 038)
VPE	pack of 2
DIN	DIN right and left hand
ITEM NO.	5 400679 0 03802
ITEM NO. (SAP)	500003894
EAN	4015471122997
Finish	Satin brassed (SW 047)
VPE	pack of 2
DIN	DIN right and left hand



TECTUS - TE 240 3D

ITEM NO.	5 400679 0 04702
ITEM NO. (SAP)	500003895
EAN	4015471127268

Finish	RAL 9016 Traffic White (SW 070)
VPE	pack of 2
DIN	DIN right and left hand
ITEM NO.	5 400679 0 07002
ITEM NO. (SAP)	500003896
EAN	4015471123734

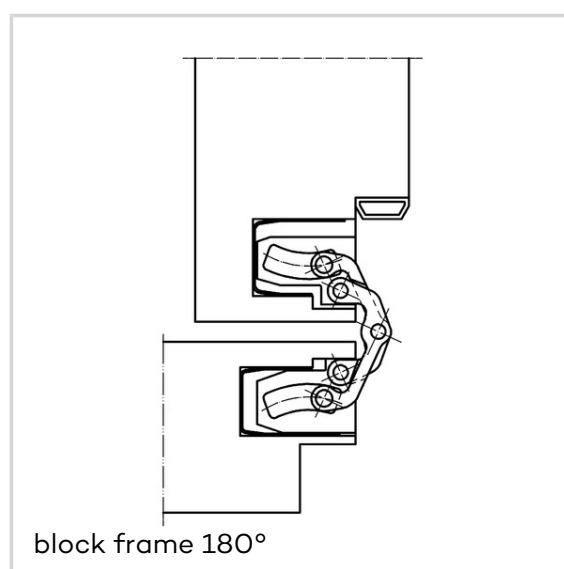
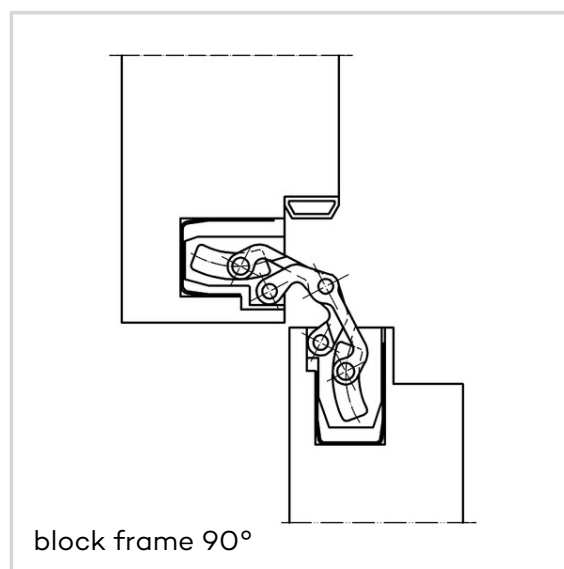
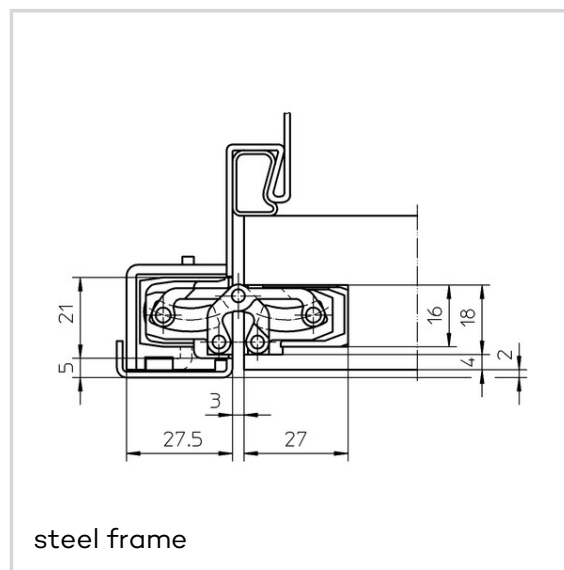
Finish	RAL 9005 Matte Black (SW 107)
VPE	pack of 2
DIN	DIN right and left hand
ITEM NO.	5 400679 0 10702
ITEM NO. (SAP)	500003899
EAN	4015471123741

Finish	Satin Chrome Look (F1) (SW 124)
VPE	pack of 2
DIN	DIN right and left hand
ITEM NO.	5 400679 0 12402
ITEM NO. (SAP)	500003900
EAN	4015471122973

Finish	Satin Nickel Look (F2) (SW 125)
VPE	pack of 2
DIN	DIN right and left hand
ITEM NO.	5 400679 0 12502
ITEM NO. (SAP)	500003901
EAN	4015471123017

Finish	Stainless Steel Look (SSL) (SW 126)
VPE	pack of 2
DIN	DIN right and left hand
ITEM NO.	5 400679 0 12602
ITEM NO. (SAP)	500003902
EAN	4015471123024

Finish	Satin Nickel (SW 144)
VPE	pack of 2



TECTUS - TE 240 3D

DIN	DIN right and left hand
ITEM NO.	5 400679 0 14402
ITEM NO. (SAP)	500003903
EAN	4015471123772
Finish	Satin Chrome (SW 146)
VPE	pack of 2
DIN	DIN right and left hand
ITEM NO.	5 400679 0 14602
ITEM NO. (SAP)	500003904
EAN	4015471123789
Finish	Rustic Umber (SW 156)
VPE	pack of 2
DIN	DIN right and left hand
ITEM NO.	5 400679 0 15602
ITEM NO. (SAP)	500003905
EAN	4015471123758
Finish	Bronze Metallic (SW 168)
VPE	pack of 2
DIN	DIN right and left hand
ITEM NO.	5 400679 0 16802
ITEM NO. (SAP)	500003906
EAN	4015471123765
Finish	Bronze Finish (SW 174)
VPE	pack of 2
DIN	DIN right and left hand
ITEM NO.	5 400679 0 17402
ITEM NO. (SAP)	500003907
EAN	4015471123031
Finish	Bronze Finish light (SW 175)
VPE	pack of 2
DIN	DIN right and left hand
ITEM NO.	5 400679 0 17502
ITEM NO. (SAP)	500003908
EAN	4015471123048
Finish	Bronze Finish dark (SW 176)

TECTUS - TE 240 3D

VPE	pack of 2
DIN	DIN right and left hand
ITEM NO.	5 400679 0 17602
ITEM NO. (SAP)	500003909
EAN	4015471123055