

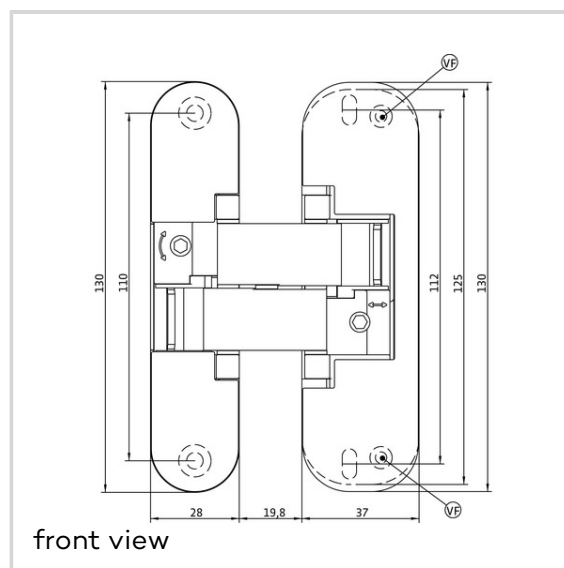
AN 141 3D FVZ 12/45

for unrebated 45 mm thick residential doors with 12 mm recessed frame facings up to 40 kg



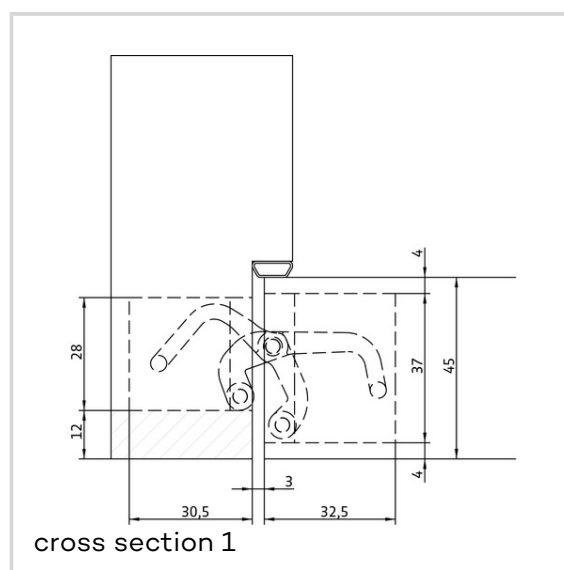
Product features

- FVZ = recessed frames
- recessed frames up to 12 mm
- door thickness 45 mm
- completely concealed hinge system
- for timber and aluminium frames
- for unrebated residential doors
- 3D adjustment (side +/- 1,5 mm, height +/- 2,5 mm, compression +/- 1,0 mm)
- central installation
- material zamak / acetal



Technical data

Property	Value
Load capacity	40,0 kg
Overall length	130,0 mm
Width (door part)	37,0 mm
Width (frame part)	28,0 mm
Cutter diameter	16,0 mm
Collar ring diameter	27,0 mm
Opening angle	180°



ANSELMI - AN 141 3D FVZ 12/45**Notes**

The load capacity mentioned above refers to the use of 2 hinges per door leaf (900 x 2100 mm).

Finishes shown on the model version AN 160 3D.
Deviations possible with this model version.

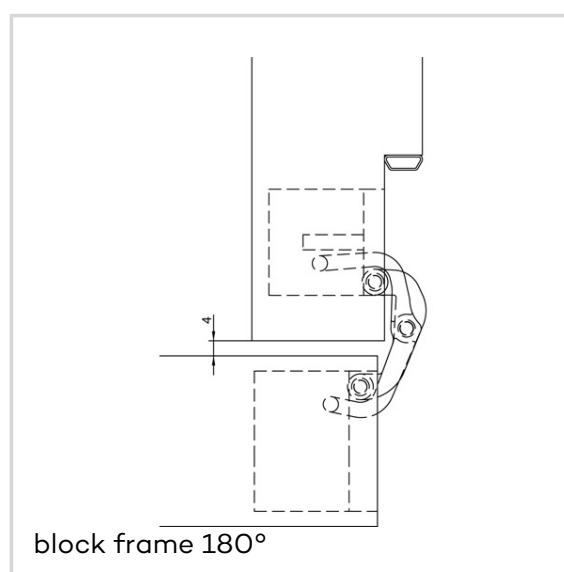
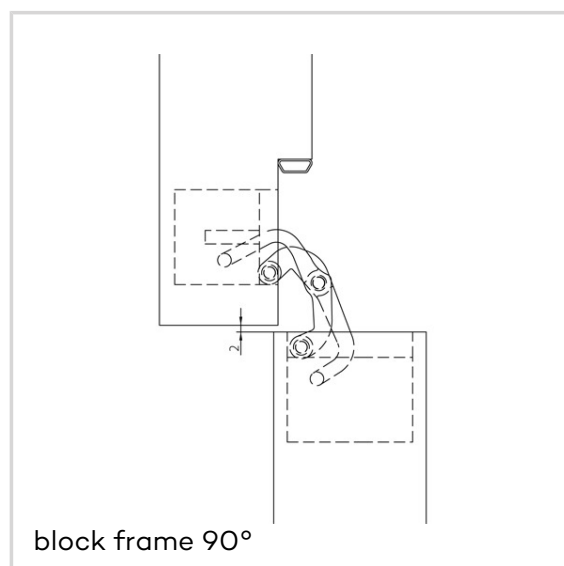
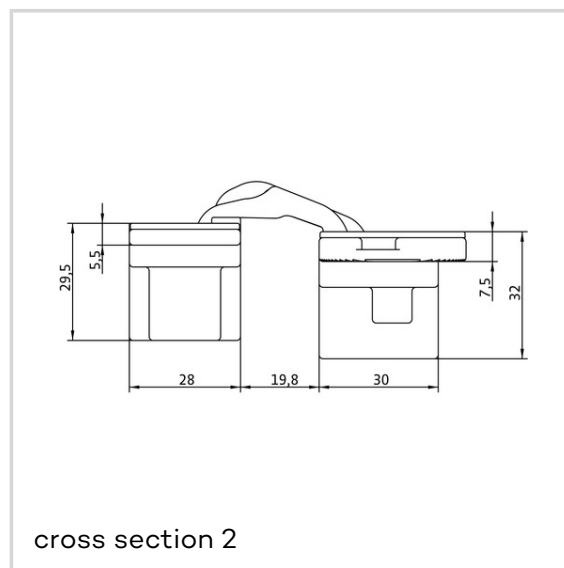
Suggested screws: Frame side: Countersunk head screws DIN 7505 A, Diameter 5,0 mm Door side: Pan head screws DIN 7505 B, Diameter 4,0 mm

If necessary, it is possible to lock the vertical adjustment of the hinge by means of a fixing screw (VF).

Alternatively, the routing can be carried out with a cutter diameter of 14,0 mm and a collar ring diameter of 25,0 mm.

Item versions

Finish	Satin Chrome (AN 014)
VPE	pack of 2
DIN	DIN right and left hand
ITEM NO.	AN 141 3D FVZ 12/45 (AN 014)
ITEM NO. (SAP)	
EAN	8054608702752
Finish	Black (AN 018)
VPE	pack of 2
DIN	DIN right and left hand
ITEM NO.	AN 141 3D FVZ 12/45 (AN 018)
ITEM NO. (SAP)	
EAN	8054608702769
Finish	Antique Bronze (AN 035)
VPE	pack of 2
DIN	DIN right and left hand
ITEM NO.	AN 141 3D FVZ 12/45



ANSELMI - AN 141 3D FVZ 12/45

ITEM NO. (SAP)	(AN 035)
EAN	8054608702783
Finish	Aluminium Chrome (AN 036)
VPE	pack of 2
DIN	DIN right and left hand
ITEM NO.	AN 141 3D FVZ 12/45 (AN 036)
ITEM NO. (SAP)	
EAN	8054608702790
Finish	Polished Brass (AN 037)
VPE	pack of 2
DIN	DIN right and left hand
ITEM NO.	AN 141 3D FVZ 12/45 (AN 037)
ITEM NO. (SAP)	
EAN	8054608702806
Finish	Polished Chrome (AN 039)
VPE	pack of 2
DIN	DIN right and left hand
ITEM NO.	AN 141 3D FVZ 12/45 (AN 039)
ITEM NO. (SAP)	
EAN	8054608702813
Finish	Satin Nickel (AN 044)
VPE	pack of 2
DIN	DIN right and left hand
ITEM NO.	AN 141 3D FVZ 12/45 (AN 044)
ITEM NO. (SAP)	
EAN	8054608702776
Finish	RAL 9016 Traffic White (AN 049)
VPE	pack of 2
DIN	DIN right and left hand
ITEM NO.	AN 141 3D FVZ 12/45 (AN 049)
ITEM NO. (SAP)	

ANSELM I - AN 141 3D FVZ 12/45

EAN

8054608702974