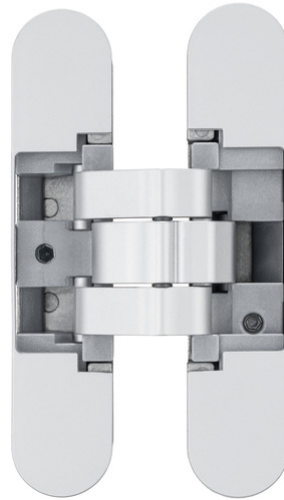
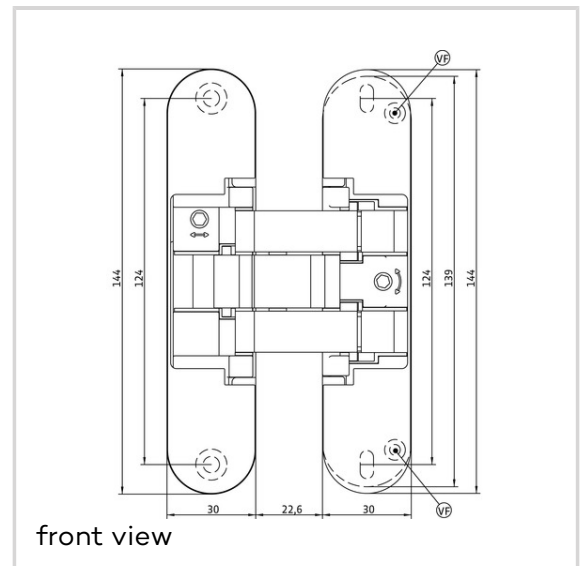


ANSELMINI - AN 141 3D FVZ 14/40**AN 141 3D FVZ 14/40**

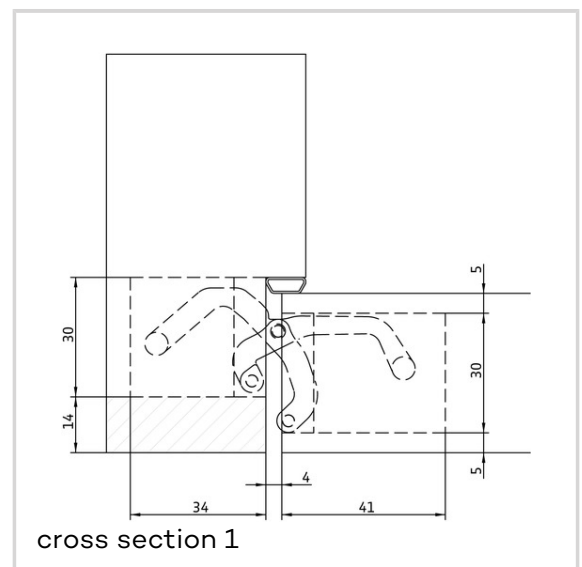
for unrebeated 40 mm thick residential doors with 14 mm recessed frame facings up to 40 kg

**Product features**

- FVZ = recessed frames
- recessed frames up to 14 mm
- door thickness 40 mm
- completely concealed hinge system
- for timber and aluminium frames
- for unrebeated residential doors
- 3D adjustment (side +/- 1,5 mm, height +/- 2,5 mm, compression +/- 1,0 mm)
- central installation
- material zamak / acetal

**Technical data**

Property	Value
Load capacity	40,0 kg
Overall length	144,0 mm
Width (door part)	30,0 mm
Width (frame part)	30,0 mm
Cutter diameter	16,0 mm
Collar ring diameter	27,0 mm
Opening angle	180°



ANSELMI - AN 141 3D FVZ 14/40**Notes**

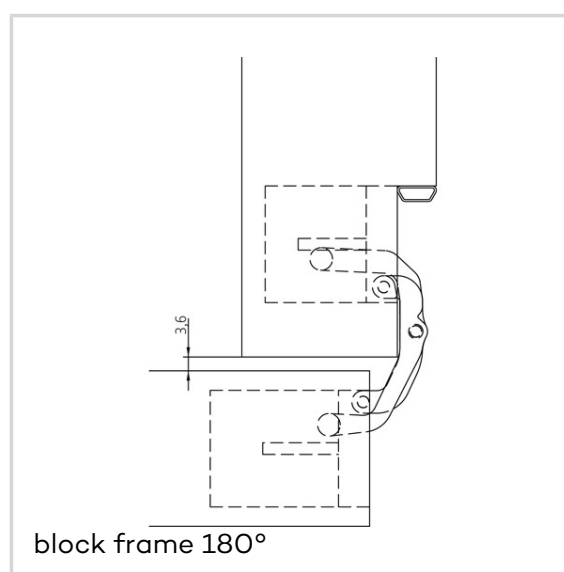
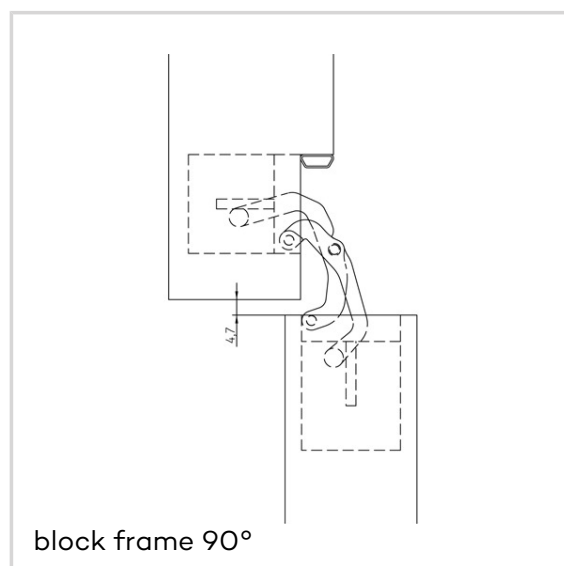
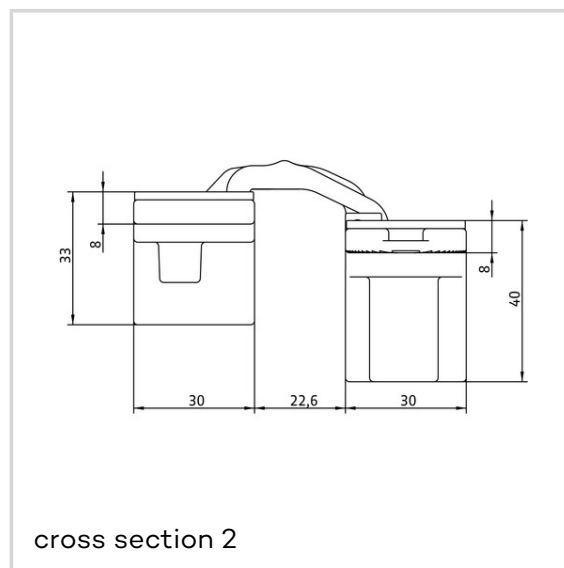
The load capacity mentioned above refers to the use of 2 hinges per door leaf (900 x 2100 mm).

Finishes shown on the model version AN 160 3D.
Deviations possible with this model version.

Suggested screws: Frame side: Countersunk head screws DIN 7505 A, Diameter 5,0 mm Door side: Pan head screws DIN 7505 B, Diameter 4,0 mm

If necessary, it is possible to lock the vertical adjustment of the hinge by means of a fixing screw (VF).

Alternatively, the routing can be carried out with a cutter diameter of 14,0 mm and a collar ring diameter of 25,0 mm.

**Item versions**

Finish	Satin Chrome (AN 014)
VPE	pack of 2
DIN	DIN right and left hand
ITEM NO.	AN 141 3D FVZ 14/40 (AN 014)
ITEM NO. (SAP)	
EAN	8054608703254
Finish	Black (AN 018)
VPE	pack of 2
DIN	DIN right and left hand
ITEM NO.	AN 141 3D FVZ 14/40 (AN 018)
ITEM NO. (SAP)	
EAN	8054608703094
Finish	Antique Bronze (AN 035)
VPE	pack of 2
DIN	DIN right and left hand
ITEM NO.	AN 141 3D FVZ 14/40

ANSELMI - AN 141 3D FVZ 14/40

ITEM NO. (SAP)	(AN 035)
EAN	8054608703124
Finish	Aluminium Chrome (AN 036)
VPE	pack of 2
DIN	DIN right and left hand
ITEM NO.	AN 141 3D FVZ 14/40 (AN 036)
ITEM NO. (SAP)	
EAN	8054608703131
Finish	Polished Brass (AN 037)
VPE	pack of 2
DIN	DIN right and left hand
ITEM NO.	AN 141 3D FVZ 14/40 (AN 037)
ITEM NO. (SAP)	
EAN	8054608703148
Finish	Polished Chrome (AN 039)
VPE	pack of 2
DIN	DIN right and left hand
ITEM NO.	AN 141 3D FVZ 14/40 (AN 039)
ITEM NO. (SAP)	
EAN	8054608703261
Finish	Satin Nickel (AN 044)
VPE	pack of 2
DIN	DIN right and left hand
ITEM NO.	AN 141 3D FVZ 14/40 (AN 044)
ITEM NO. (SAP)	
EAN	8054608703100
Finish	RAL 9016 Traffic White (AN 049)
VPE	pack of 2
DIN	DIN right and left hand
ITEM NO.	AN 141 3D FVZ 14/40 (AN 049)
ITEM NO. (SAP)	

ANSELM I - AN 141 3D FVZ 14/40

EAN

8054608703117