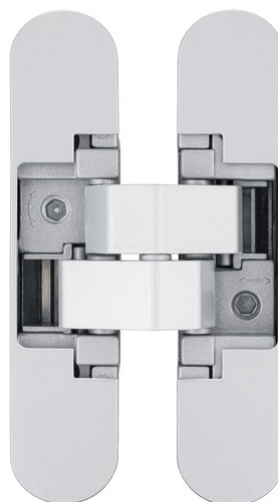


AN 160 3D

for unrebated residential doors up to 60 kg



Product features

- completely concealed hinge system
- for timber and aluminium frames
- for unrebated residential doors
- 3D adjustment (side +/- 1,5 mm, height +/- 2,5 mm, compression +/- 1,0 mm)
- material zamak

Technical data

Property	Value
Load capacity	60,0 kg
Overall length	110,0 mm
Width (door part)	24,0 mm
Width (frame part)	24,0 mm
Cutter diameter	16,0 mm
Collar ring diameter	27,0 mm
Opening angle	180°

Notes

The load capacity mentioned above refers to the use

Quality marks



CE certification



IFT certification



UL certification

Classification code

2	7	3	1 ^{*1}	1	- ^{*2}	0	10
---	---	---	-----------------	---	-----------------	---	----

^{*1} Test evidence for functional doors to be achieved with full door sets and assemblies.

^{*2} depending on the finish

ANSELMI - AN 160 3D

of 2 hinges per door leaf (900 x 2100 mm).

Suggested screws: Frame side: Countersunk head screws DIN 7505 A, Diameter 4,5 mm Door side: Pan head screws DIN 7505 B, Diameter 4,5 mm

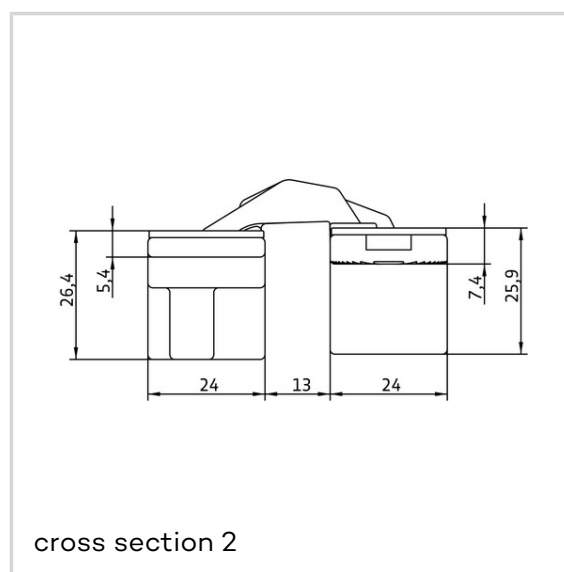
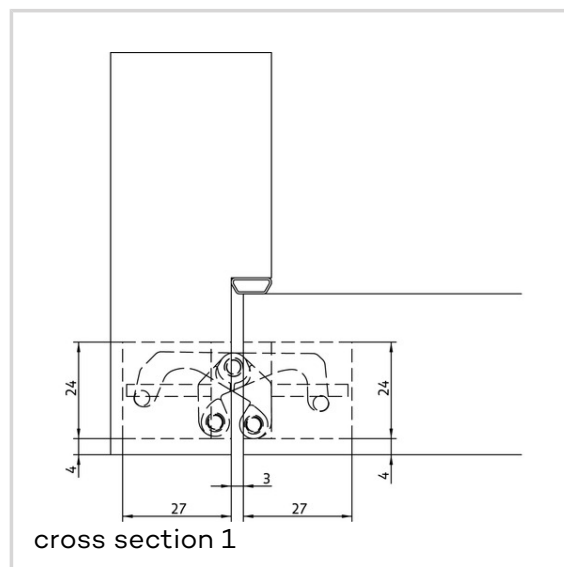
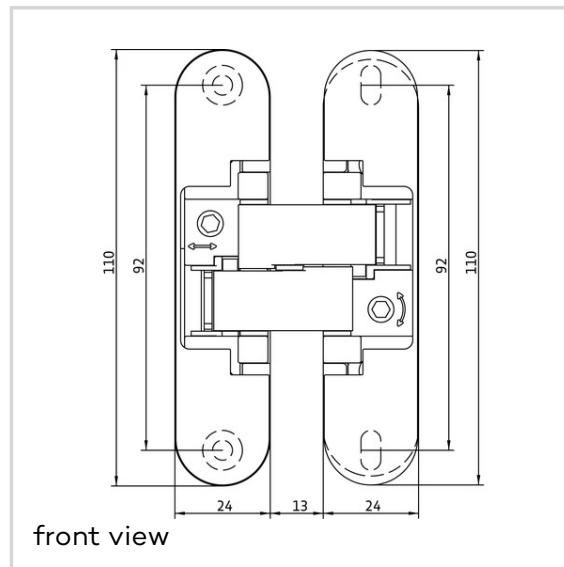
Alternatively, the routing can be carried out with a cutter diameter of 14,0 mm and a collar ring diameter of 25,0 mm.

Combinations

- AN 107 3D C40
- AN 107 3D C60
- AN 108 3D SC45
- AN 140 3D FZ

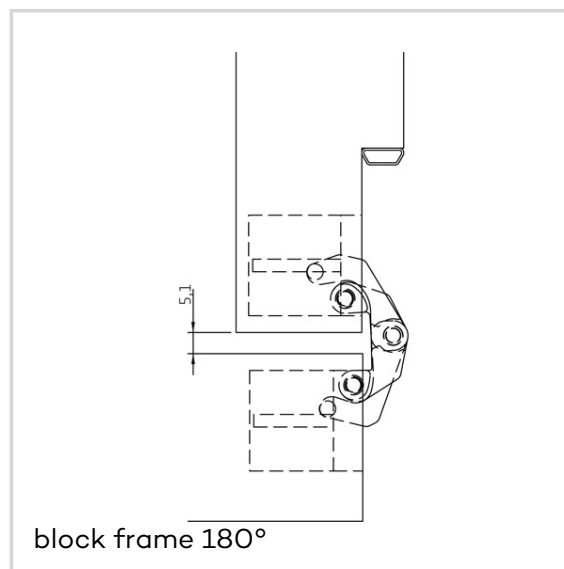
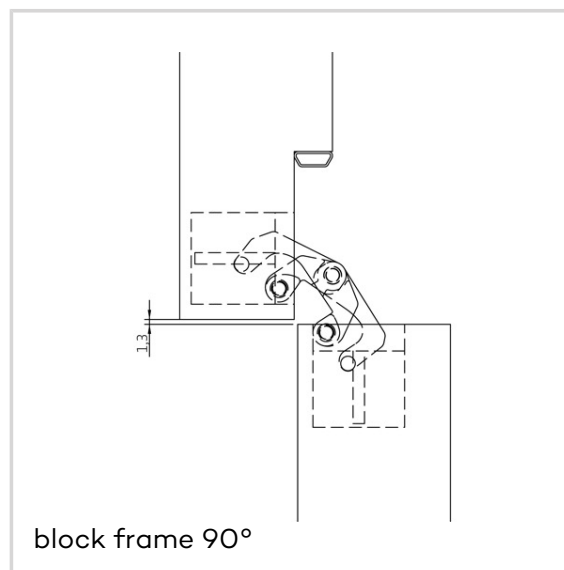
Item versions

Finish	Rustic Umber (AN 012)
VPE	pack of 2
DIN	DIN right and left hand
ITEM NO.	AN 160 3D (AN 012)
ITEM NO. (SAP)	
EAN	8054608707733
Finish	Satin Chrome (AN 014)
VPE	pack of 2
DIN	DIN right and left hand
ITEM NO.	AN 160 3D (AN 014)
ITEM NO. (SAP)	
EAN	8054608707740
Finish	Light Bronze (AN 016)
VPE	pack of 2
DIN	DIN right and left hand
ITEM NO.	AN 160 3D (AN 016)
ITEM NO. (SAP)	
EAN	8054608707764
Finish	Black (AN 018)
VPE	pack of 2



ANSELMI - AN 160 3D

DIN ITEM NO. ITEM NO. (SAP) EAN	DIN right and left hand AN 160 3D (AN 018) 8054608707788
Finish VPE DIN ITEM NO. ITEM NO. (SAP) EAN	Antique Bronze (AN 035) pack of 2 DIN right and left hand AN 160 3D (AN 035) 8054608707795
Finish VPE DIN ITEM NO. ITEM NO. (SAP) EAN	Aluminium Chrome (AN 036) pack of 2 DIN right and left hand AN 160 3D (AN 036) 8054608707801
Finish VPE DIN ITEM NO. ITEM NO. (SAP) EAN	Polished Brass (AN 037) pack of 2 DIN right and left hand AN 160 3D (AN 037) 8054608707818
Finish VPE DIN ITEM NO. ITEM NO. (SAP) EAN	Polished Chrome (AN 039) pack of 2 DIN right and left hand AN 160 3D (AN 039) 8054608707825
Finish VPE DIN ITEM NO. ITEM NO. (SAP) EAN	Satin Nickel (AN 044) pack of 2 DIN right and left hand AN 160 3D (AN 044) 8054608707832
Finish	RAL 9016 Traffic White (AN 049)



ANSELM I - AN 160 3D

VPE	pack of 2
DIN	DIN right and left hand
ITEM NO.	AN 160 3D (AN 049)
ITEM NO. (SAP)	
EAN	8054608707849
Finish	Anthracite (AN 050)
VPE	pack of 2
DIN	DIN right and left hand
ITEM NO.	AN 160 3D (AN 050)
ITEM NO. (SAP)	
EAN	8054608708969
Finish	Medium Bronze (AN 051)
VPE	pack of 2
DIN	DIN right and left hand
ITEM NO.	AN 160 3D (AN 051)
ITEM NO. (SAP)	
EAN	8054608708976
Finish	Copper (AN 052)
VPE	pack of 2
DIN	DIN right and left hand
ITEM NO.	AN 160 3D (AN 052)
ITEM NO. (SAP)	
EAN	8054608708983