

ANSEMI - AN 150 3D 28

AN 150 3D 28

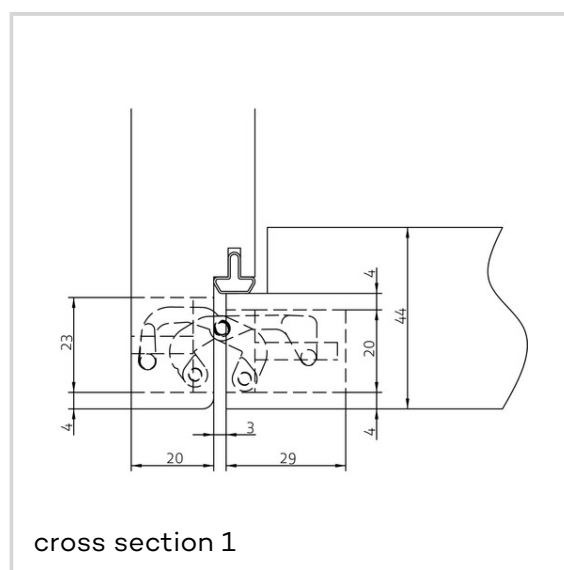
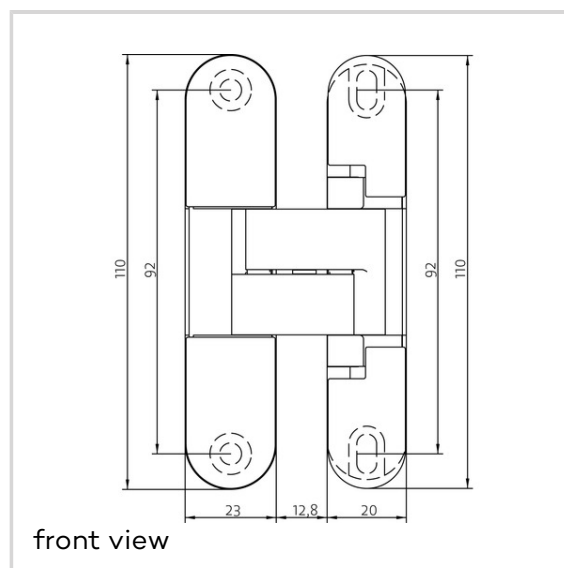
for flush rebated 28 mm residential doors with 20 mm reduced hinge frame part up to 40 kg

**Product features**

- reduced hinge frame part 20 mm
- door thickness 28 mm
- completely concealed hinge system
- for timber and aluminium frames
- for flush rebated residential doors
- 3D adjustment (side +/- 1,5 mm, height +/- 2,5 mm, compression +/- 1,0 mm)
- central installation
- material zamak

Technical data

Property	Value
Load capacity	40,0 kg
Overall length	110,0 mm
Width (door part)	20,0 mm
Width (frame part)	23,0 mm
Cutter diameter	16,0 mm
Collar ring diameter	27,0 mm
Opening angle	180°



ANSELMI - AN 150 3D 28

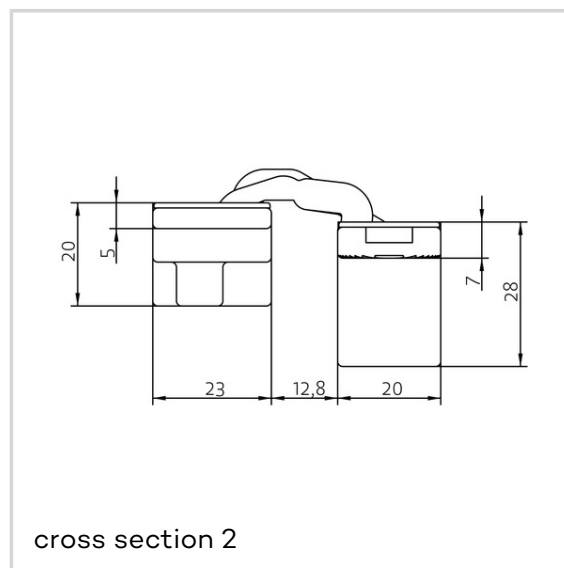
Notes

The load capacity mentioned above refers to the use of 2 hinges per door leaf (900 x 2100 mm).

Finishes shown on the model version AN 160 3D. Deviations possible with this model version.

Suggested screws: Frame side: Countersunk head screws DIN 7505 A, Diameter 4,5 mm Door side: Pan head screws DIN 7505 B, Diameter 4,5 mm

Alternatively, the routing can be carried out with a cutter diameter of 14,0 mm and a collar ring diameter of 25,0 mm.



Combinations

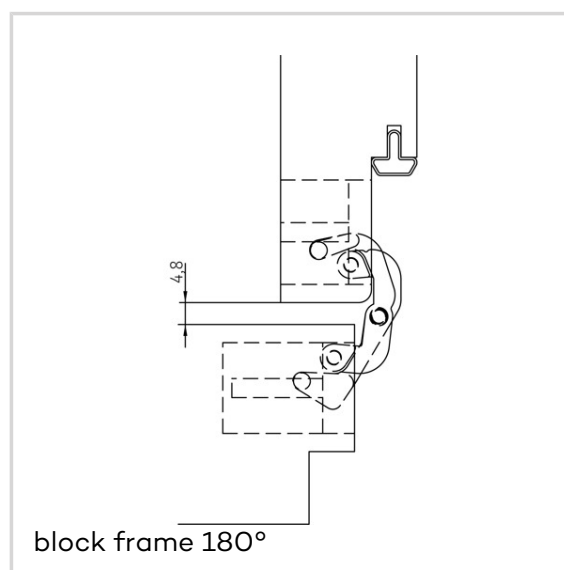
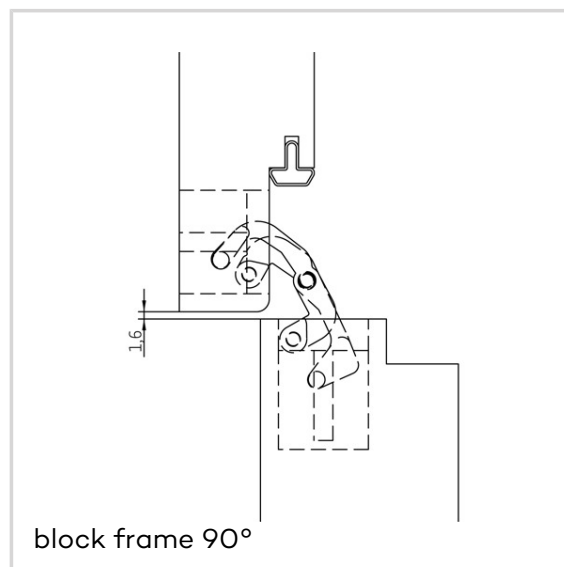
AN 140 3D FZ

Item versions

Finish	Satin Chrome (AN 014)
VPE	pack of 2
DIN	DIN right and left hand
ITEM NO.	AN 150 3D 28 (AN 014)
ITEM NO. (SAP)	
EAN	8054608705845

Finish	Black (AN 018)
VPE	pack of 2
DIN	DIN right and left hand
ITEM NO.	AN 150 3D 28 (AN 018)
ITEM NO. (SAP)	
EAN	8054608705869

Finish	Antique Bronze (AN 035)
VPE	pack of 2
DIN	DIN right and left hand
ITEM NO.	AN 150 3D 28 (AN 035)



ANSELMI - AN 150 3D 28

ITEM NO. (SAP)	035)
EAN	8054608705890
Finish	Aluminium Chrome (AN 036)
VPE	pack of 2
DIN	DIN right and left hand
ITEM NO.	AN 150 3D 28 (AN 036)
ITEM NO. (SAP)	
EAN	8054608705906
Finish	Polished Brass (AN 037)
VPE	pack of 2
DIN	DIN right and left hand
ITEM NO.	AN 150 3D 28 (AN 037)
ITEM NO. (SAP)	
EAN	8054608705913
Finish	Polished Chrome (AN 039)
VPE	pack of 2
DIN	DIN right and left hand
ITEM NO.	AN 150 3D 28 (AN 039)
ITEM NO. (SAP)	
EAN	8054608705920
Finish	Satin Nickel (AN 044)
VPE	pack of 2
DIN	DIN right and left hand
ITEM NO.	AN 150 3D 28 (AN 044)
ITEM NO. (SAP)	
EAN	8054608705876
Finish	RAL 9016 Traffic White (AN 049)
VPE	pack of 2
DIN	DIN right and left hand
ITEM NO.	AN 150 3D 28 (AN 049)
ITEM NO. (SAP)	
EAN	8054608705883

